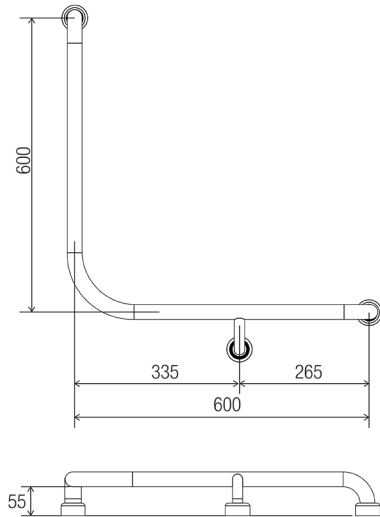


PRODUCT INFORMATION

DIMENSIONS



Drawn RH (Right Hand)

INDICATIVE IMAGE



HYGIENIC SEAL® - TOILET GRAB RAILS

Product Code - Finish

- HS 606 SS RH - Satin Supreme™

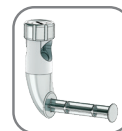
Features

- 600 mm x 600 mm
- Premium 32 mm grab rail
- Fabricated from 304 stainless steel
- Assembled with 50 mm brass screw on flange covers with Thermoplastic Elastomer (TPE) fitted seals
- Inside of grab rail has been cleaned and free of unsanitary oil and dirt produced through fabrication processes
- Stainless steel fixing screws supplied

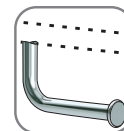
Compliance

- Complies with clause 17 of AS 1428.1-2009 for design and construction of grab rails

Optional Extras - Toilet Roll Holder



- TR 031



- TR 031 S
Factory Fitted

Warranty

See Con-Serv warranty policy for full details.

CON-SERV CORPORATION AUSTRALIA PTY. LTD.

17 Glentanna Street, Kedron · Qld. 4031 Australia

Phone: +61 (0)7 3630 5744 · Fax: +61 (0)7 3630 5755 · Email: mail@con-serv.com.au · www.con-serv.com.au